

## Street light insulation piercing connector



**K440**  
with yellow shear head indicator



**K326**



**K439**

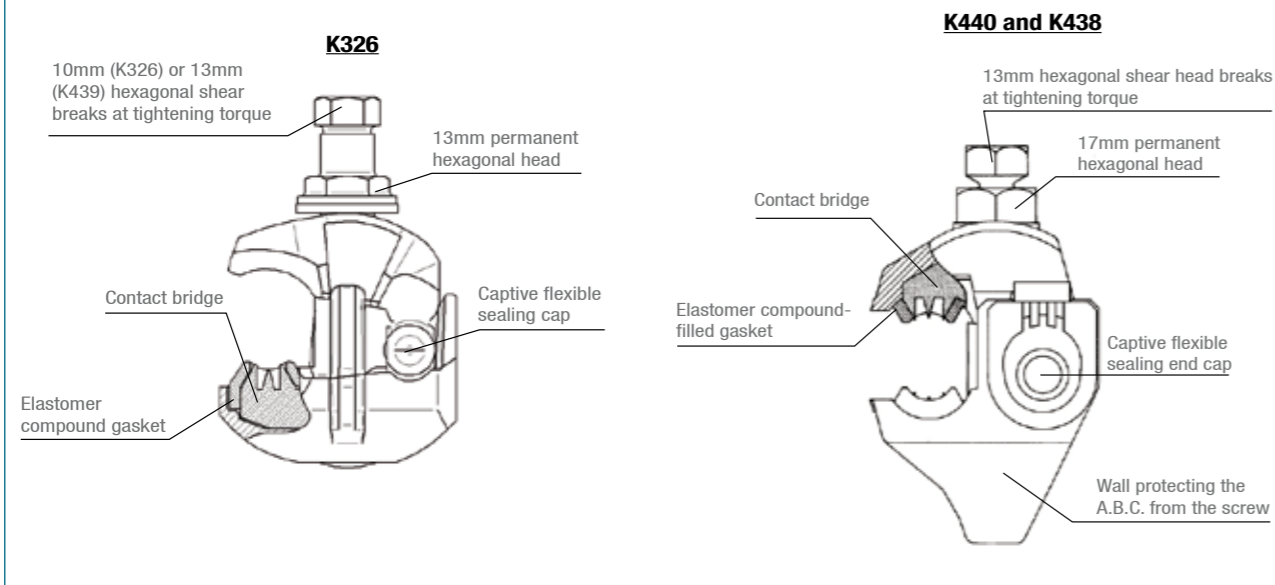
### Application

This connector is designed to connect the street light insulated conductors to the low voltage A.B.C. (Aerial Bundled Conductors).

### Description

- Insulation piercing is carried out on the main and tap conductors simultaneously in a single tightening operation.
- The dielectric strength in water is greater than 6kV.
- The tightening screw is potential free.
- Tightening efficiency is ensured by a shear head screw.
- The connector end cap is flexible so that to feel good tap conductor insertion simply by hand. It is glued on connector body or interdependent on watertightness, so that to avoid eventual loss during handling, installation and environment (wind, bad weather...).
- The connector K440 is fitted with a yellow shear head indicator that disappears when head is sheared-off, being a clear visual confirmation of good tightening from ground level. It increases head height by 10 mm.

This connector meets the criteria of the **NF C 33-020** and **EN 50-483** standards.



### Installation

- Insert the insulated service conductor into the connector such that its end seats in the flexible end cap.
- Use a 10mm spanner (for the K326) or a 13mm spanner (for the K439 and K440) and tighten the connector on the insulated main conductor of the bundle until the shear head breaks.
- The 13mm (for the K326 and K439) or 17mm (for the K440) permanent screw head is only provided for possible dismantling, and must not be used to re-tighten the screw after the shear head has broken.
- Installation can be carried out on a live line but with no load on the tap conductor.



Code	Designation	Contact bridge	Capacities Main insulated Al-Cu (mm <sup>2</sup> )	Capacities Tap insulated Al-Cu (mm <sup>2</sup> )	Weight (kg)	Sales unit
<b>ZINC-PLATED STEEL FASTENERS (ZF)</b>						
K326	CONNECTOR CES/CT 70 ZF	Tinned brass	16-70	1.5-6	0.070	12
K439	CONNECTOR CES/CT 95 ZF	Tinned brass	10-95	1.5-6	0.060	50
<b>STAINLESS STEEL FASTENERS (SF) + YELLOW SHEAR HEAD INDICATOR</b>						
K440	CONNECTOR CES/CT 95 SF	Tinned brass	10-95	1.5-6	0.110	20

➔ **SEE SHEET**  
INSTALLATION / LV insulated toolings

➔ **SEE SHEET**  
PROTECTION / Service protection / Fuse switch connector 20A